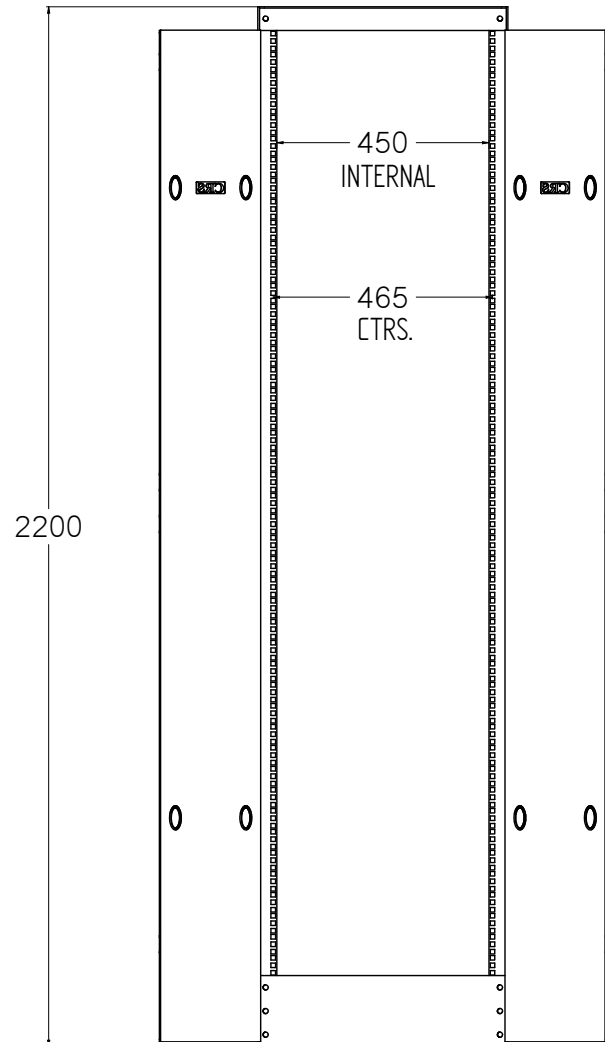
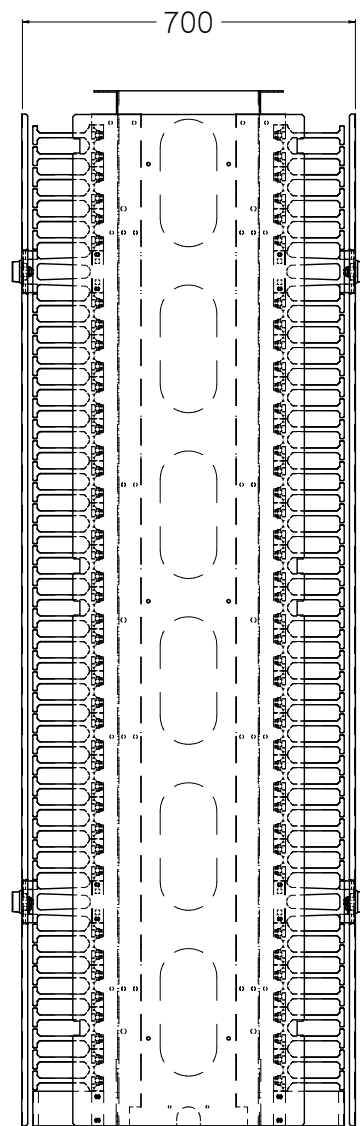


TOP VIEW

NOTE: CABLE MANAGERS FITTED ON OUTER MOST HOLE SETTINGS

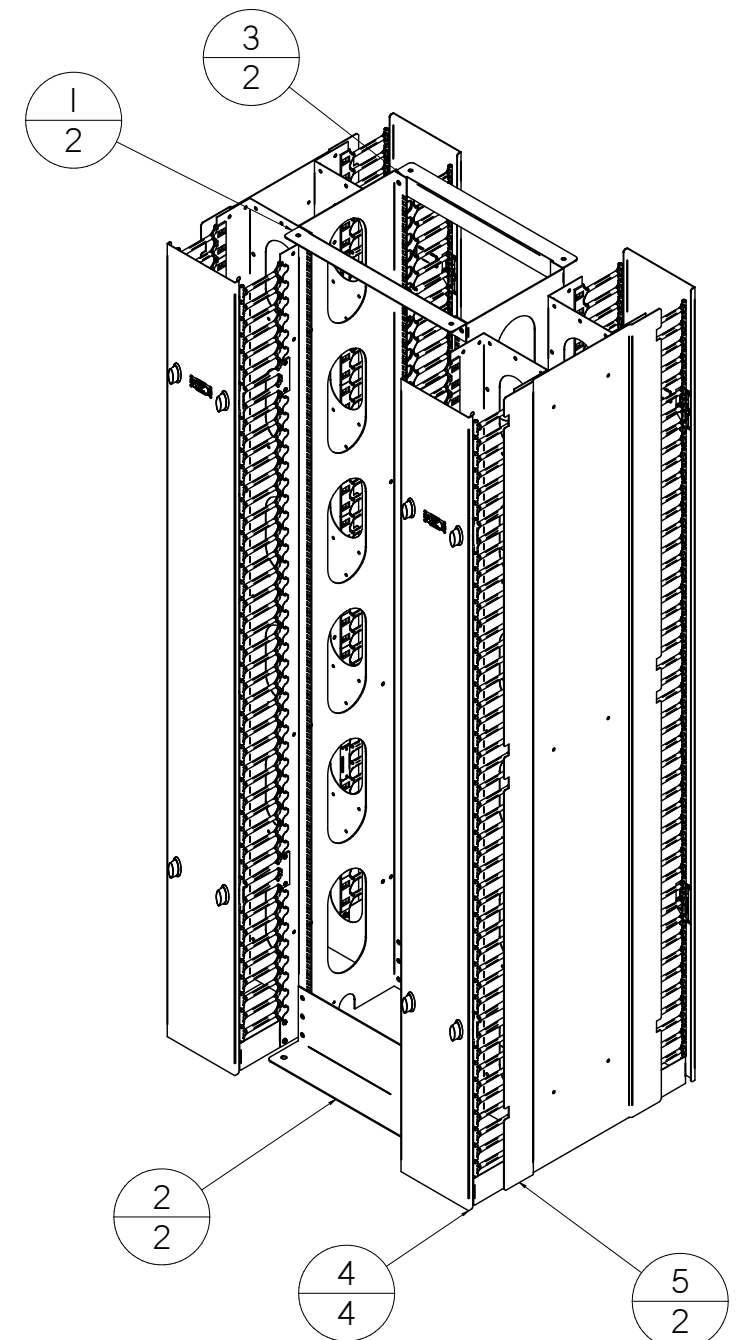


FRONT VIEW
I:16



RH SIDE VIEW

REV.	REVISION HISTORY	DATE
0	FIRST PRODUCTION RELEASE	22/02/2011



Item Number	Document Number	Revision	Title	Material	Quantity
1	CRS-1302	2	TOP TIE LABRACK 19"	2.50 M.S	2
2	CRS-1303	1	BASE TIE LABRACK 19"	3.0M.S	2
3	CRS-1450	0	45 RU VERTICAL RAIL PATCHRACK		2
4	CRS-2456		200 WIDE FINGER DUCT		4
5	CRS-2839	1	SIDE COVER RNSH PATCH RACK	2.0 ALUMINIUM	2

CRS

FLAT PATTERN DISCLAIMER
AS INDIVIDUAL MANUFACTURERS TOOLING MAY VARY WIDELY IT IS THE MANUFACTURERS RESPONSABILITY TO DETERMINE CORRECT FLAT SIZES OR WHETHER THE SUPPLIED FLAT DIMENSIONS ARE ACCURATE

DRAWN BY: INITIAL
CHECKED BY: INITIAL

TOLERANCES
TOLERANCES SET BY NUMBER OF DECIMAL PLACES. ie:
1 decimal - 0.0 = +/- 0.5mm
2 decimals - 0.00 = +/- 0.15mm
ANGLES +/- 0.5 deg.
○ DENOTES CRITICAL DIMENSION

MATERIAL FINISH BLACK POWDERCOAT
PROJECT 45RU PATCHING RACK
A3

SHEET 1 OF 1
AS 1100
DRAWING NO. CRS-3110
FILENAME: CRS-3110_DEEP_2POST_COMPLETE.dwg
TITLE 45RU DEEP_2 POST GENERAL ASSY.
REV. 0
DATE 15/04/2011